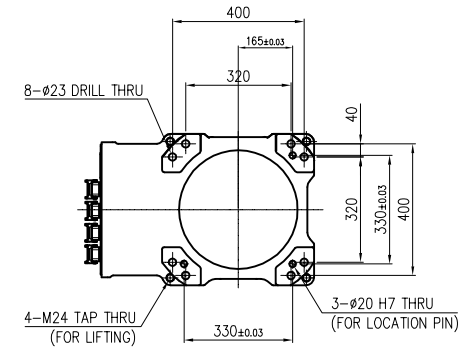
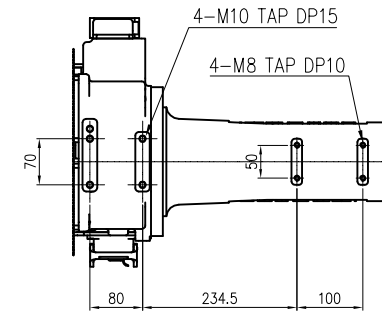


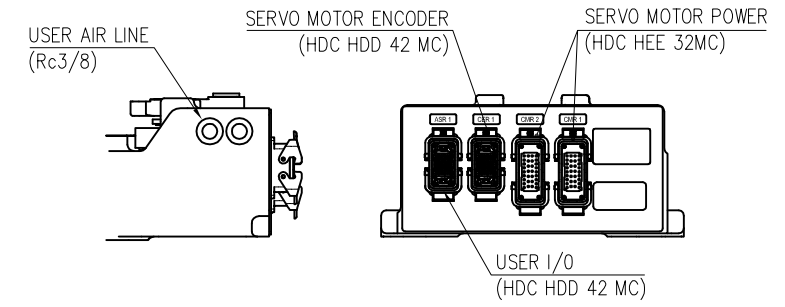
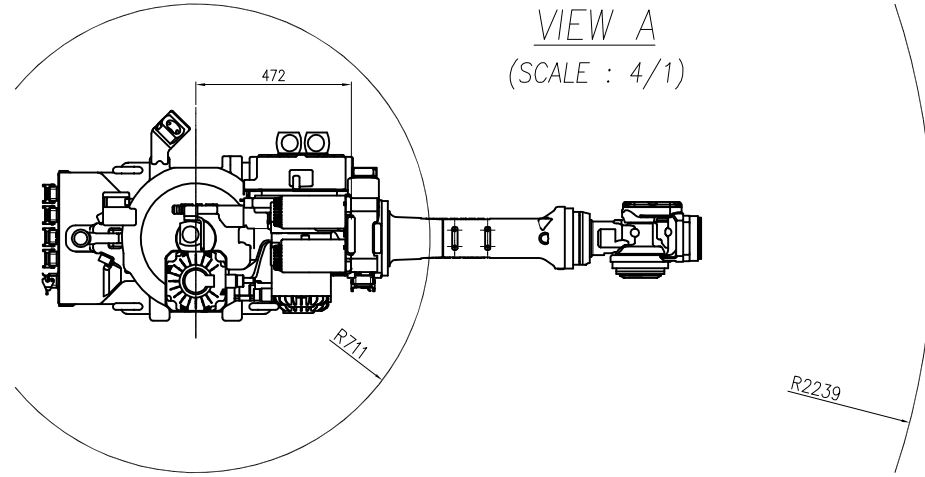
VIEW A
(SCALE : 4/1)



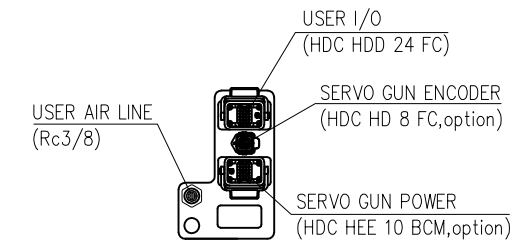
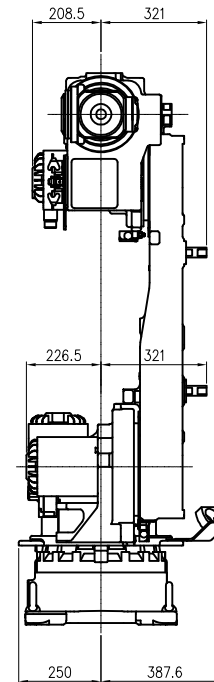
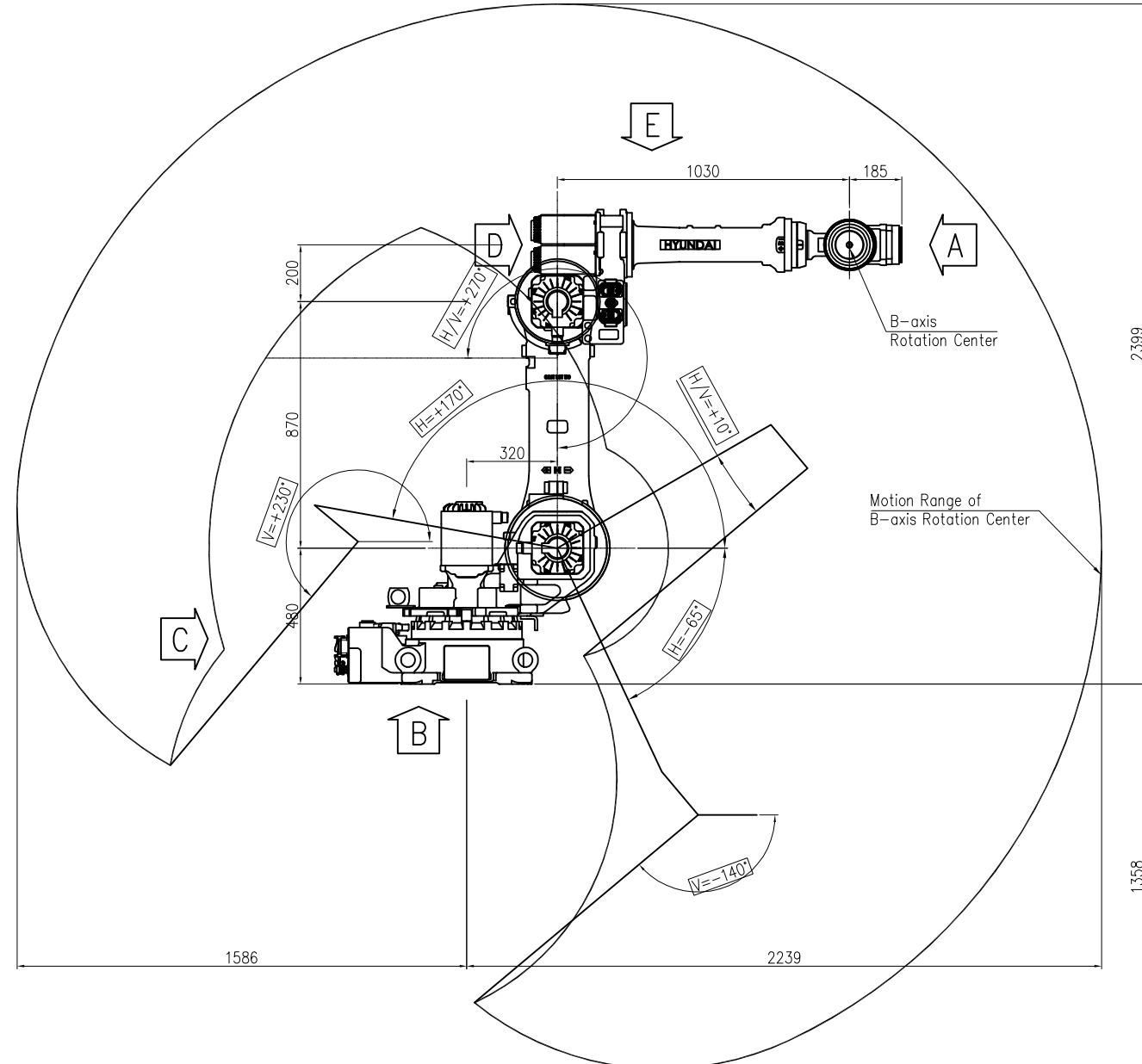
VIEW B



VIEW E
(SCALE : 2/1)



VIEW C
(SCALE 2/1)



VIEW D
(SCALE : 2/1)

TECHNICAL SPECIFICATION SUBJECT TO CHANGE WITHOUT NOTICE

MODEL	YS080	issue.0
DATE	2018.06.19	

