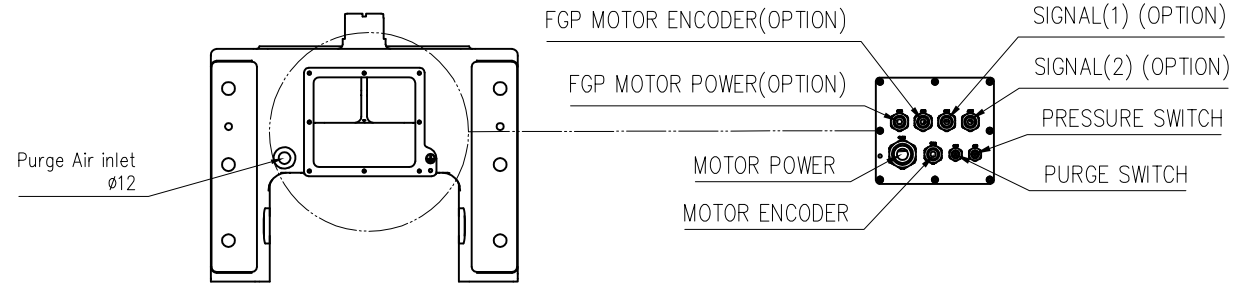
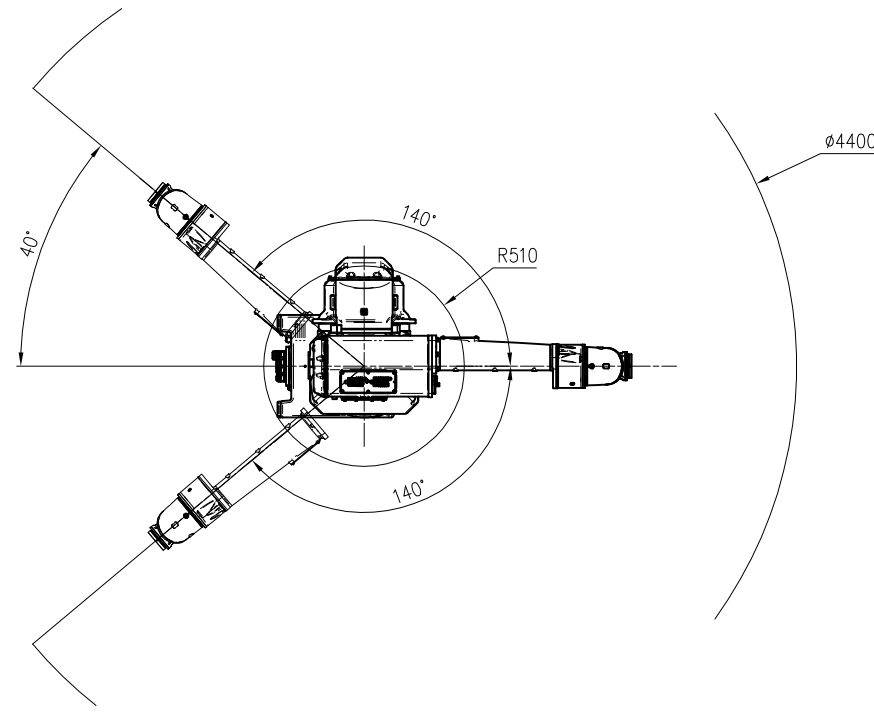
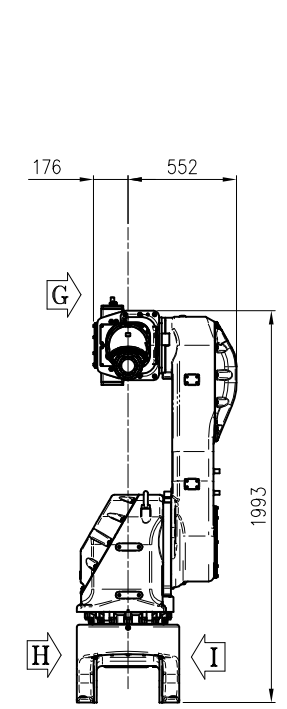
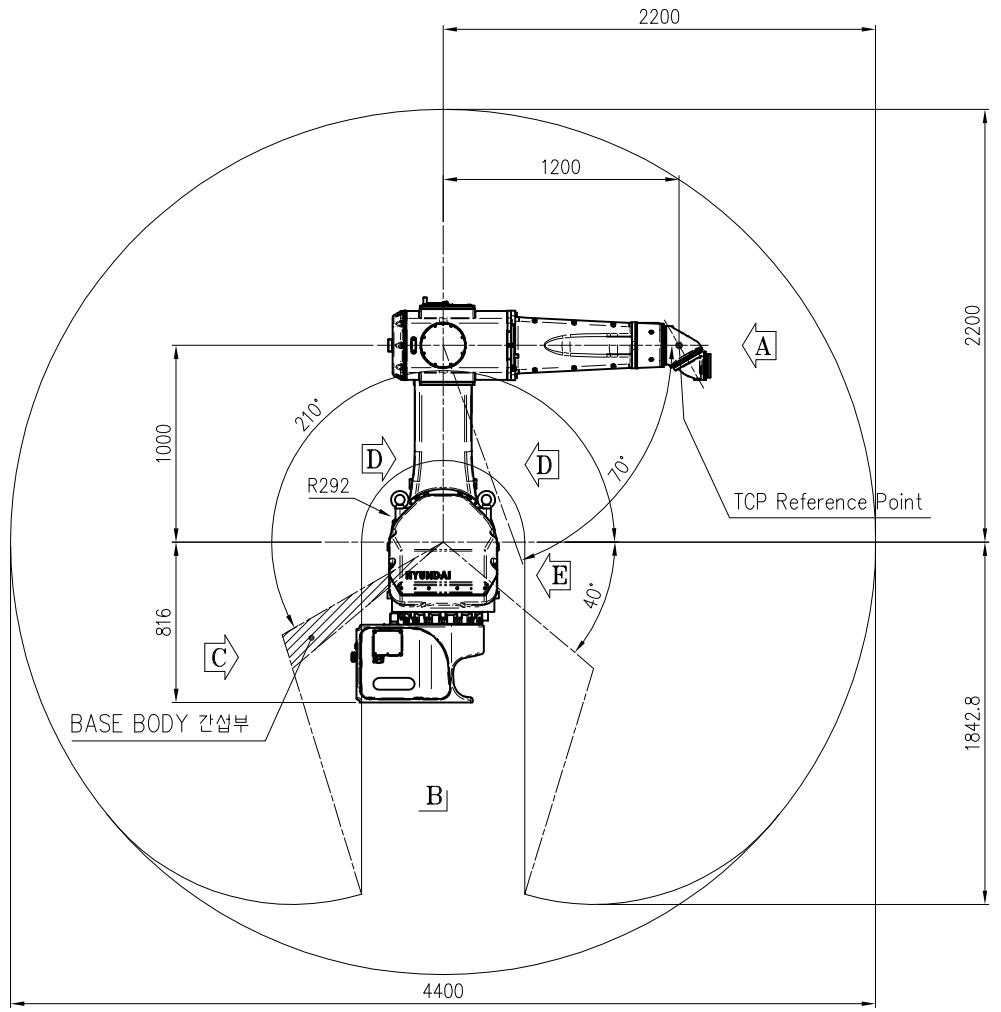


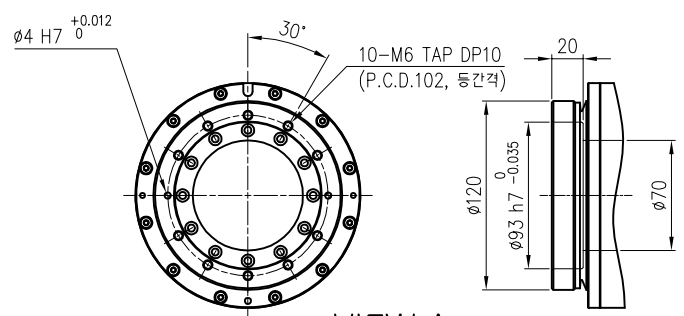
Item	Model	YP015A-22*1(Hi5a-P20)
Installation		Floor, Wall
Degree of Freedom		6
Repeatability		±0.2mm
Painting Speed		2000mm/s
Robot Weight		580 kg
Motion Range & Speed	S-Axis	±140°, 160°/s
	H-Axis	-40° ~ +210°, 160°/s
	V-Axis	-70° ~ +90°, 160°/s
	R2-Axis	±360°, 450°/s
	B-Axis	±360°, 540°/s
Payload	Wrist	15kg
	Outer arm	15kg
	Inner arm	15kg
Ambient Conditions	Temperature	0 ~ 40°C
	Humidity	20 ~ 85%RH (non-condensing)
Hazardous location certification (VERIFYING)		



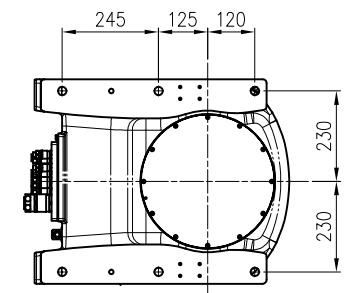
VIEW C
(SCALE 3/1)



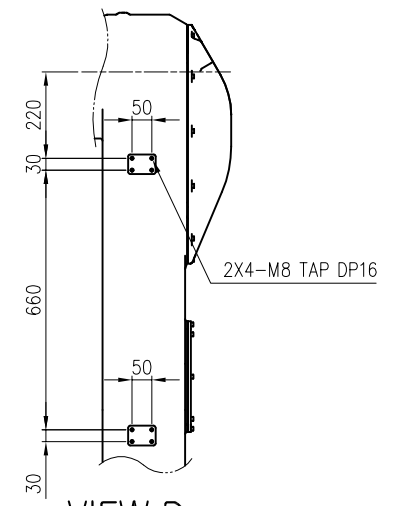
VIEW E
(SCALE 3/1)
(배면대칭 동일)



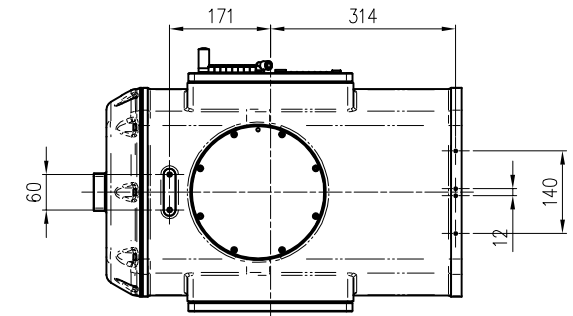
VIEW A
(SCALE 8/1)



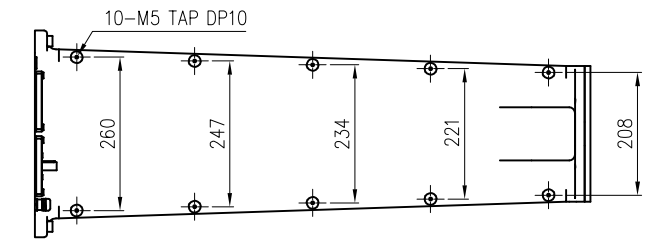
VIEW B
(SCALE 2/1)



VIEW D
(SCALE 2/1)



VIEW F
(SCALE 3/1)



VIEW G
(SCALE 3/1)



TECHNICAL SPECIFICATION SUBJECT TO CHANGE WITHOUT NOTICE

MODEL	YP015A-22	issue.0
DATE	2020.11.17	

