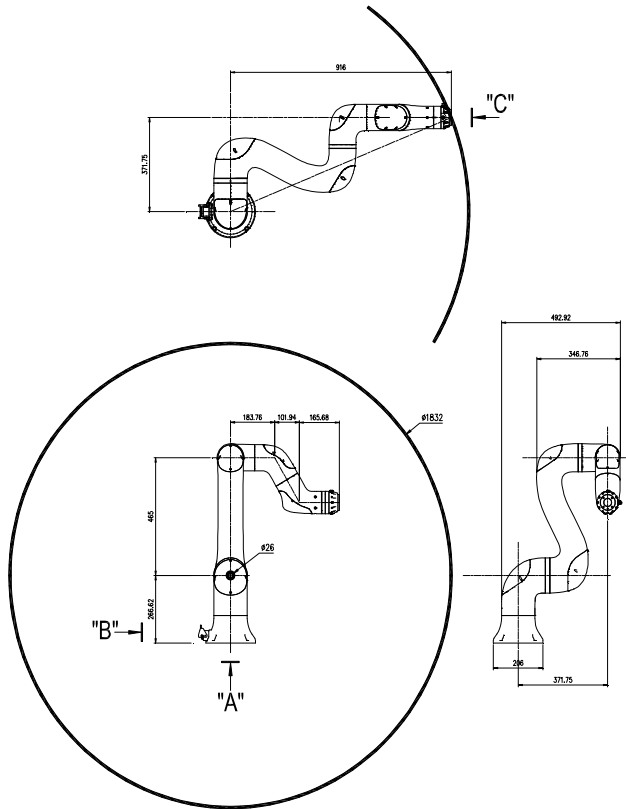


# YL005

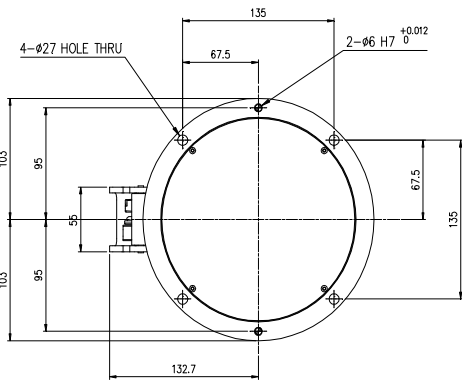
Installation method		Application	
Floor	●	Spot welding	●
Ceiling		Arc welding	●
Wall surface		Handling	●
		Assembly	●
		Sealing	●
		Painting	●



**View A: Dimensional drawing for the floor installation of the body**

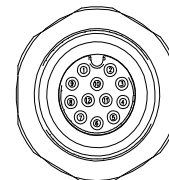
Item	Specification		
Robot model	YL005		
Payload	5 kg		
Structure	Articulated		
Degree of freedom	6 axes		
Drive system	AC SERVO MOTOR		
Max. working envelope	A	S Swivel	$\pm 3.142 \text{ rad } (\pm 180^\circ)$
	r	H Horizontal	$+2.37 \sim -0.79 \text{ rad } (+270^\circ \sim -90^\circ)$
		V Vertical	$\pm 3.142 \text{ rad } (\pm 180^\circ)$
		Wrist	R2 Rotation 2
	m*	B Bending	$\pm 3.142 \text{ rad } (\pm 180^\circ)$
R1 Rotation 1		$\pm 3.142 \text{ rad } (\pm 180^\circ)$	
Max. working speed	A	S Swivel	$3.142 \text{ rad } (180^\circ/\text{sec})$
	r	H Horizontal	$3.142 \text{ rad } (180^\circ/\text{sec})$
		V Vertical	$3.142 \text{ rad } (180^\circ/\text{sec})$
		Wrist	R2 Rotation 2
	B Bending	$3.142 \text{ rad } (180^\circ/\text{sec})$	
R1 Rotation 1	$3.142 \text{ rad } (180^\circ/\text{sec})$		
Wrist torque	R2	Rotation 2	48 N.m ( 4.9 kgf.m )
	B	Bending	26.5 N.m ( 2.7 kgf.m )
	R1	Rotation 1	27.4 N.m ( 2.8 kgf.m )
Accuracy of position repeatability	$\pm 0.1 \text{ mm}$		
Ambient Temperature	$0 \sim 45^\circ \text{C } (273 \sim 313 \text{K})$		
Robot's Weight	27 Kg		
Working envelope section area	916		

\*) When the optional limit switch is attached, the action range of the main axis will be limited (see the manual)



**View C: Detailed drawing of the wrist attachment**

**View C: Application cable connection part**



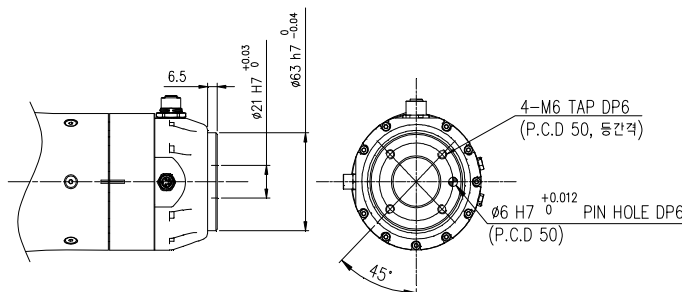
CONNECTOR : T4171130012-001(TE)



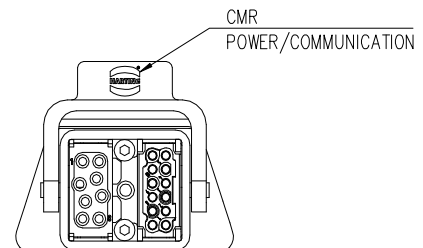
CONNECTOR : T4071017041-001(TE)

User I/O Port			
Pin No.	Description	Pin No.	Description
1	Digital out CH0	7	Digital in CH2
2	Digital out CH1	8	Digital in CH3
3	Digital out CH2	9	Analog in CH0
4	Digital out CH3	10	Analog in CH1
5	Digital in CH0	11	Voltage out
6	Digital in CH1	12	GND

EtherCAT Port	
Pin No.	Description
1	TX +
2	TX -
3	RX +
4	RX -



**View B: Application cable connection part**



\*\* For product improvement, some of the ratings, specifications, dimensions, etc. are subject to changes without notice