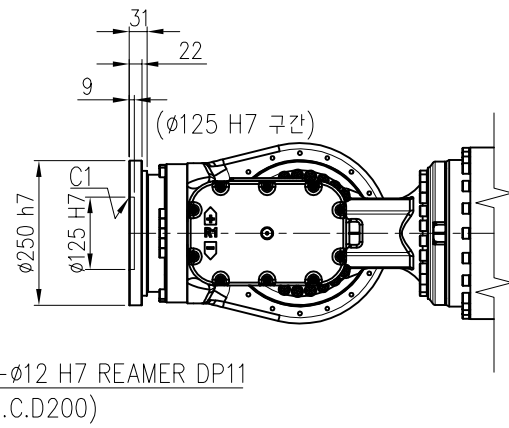
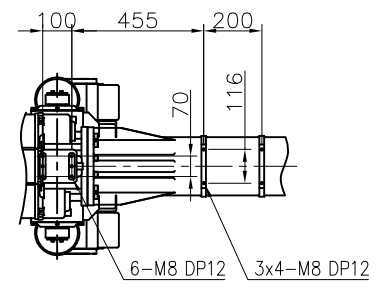


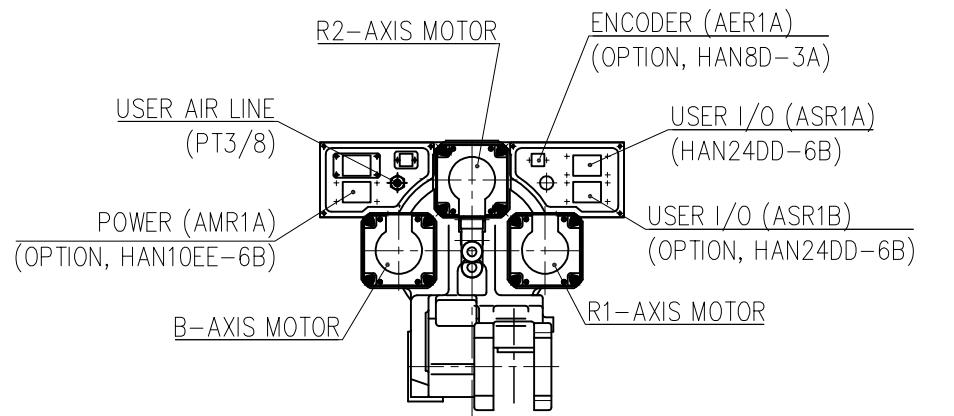
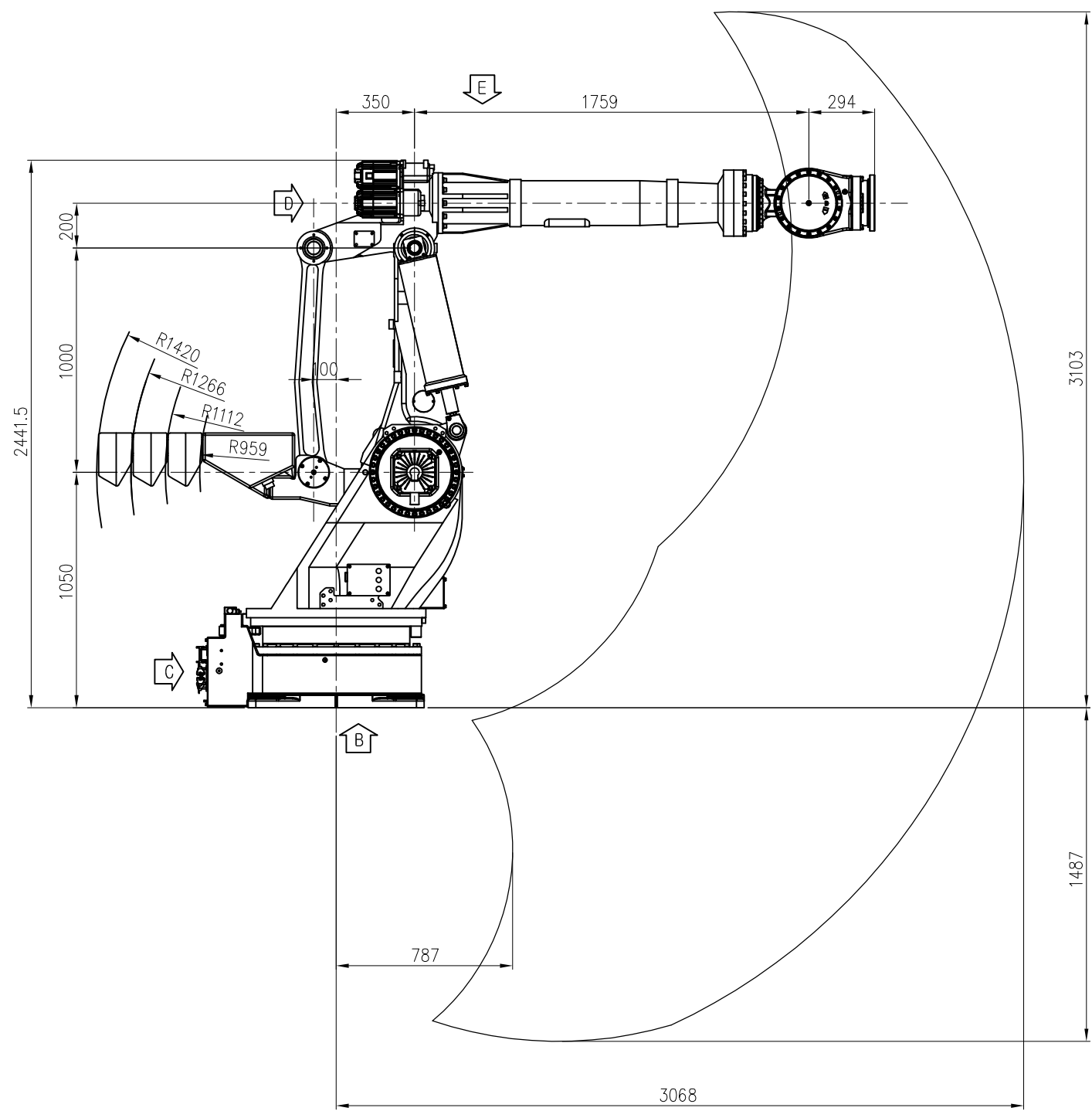
VIEW "A"
(SCALE : 2/1)



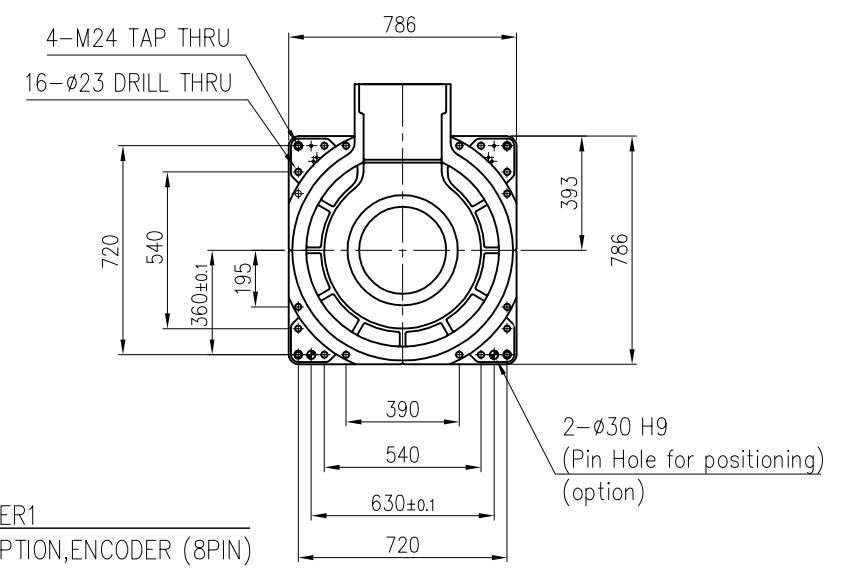
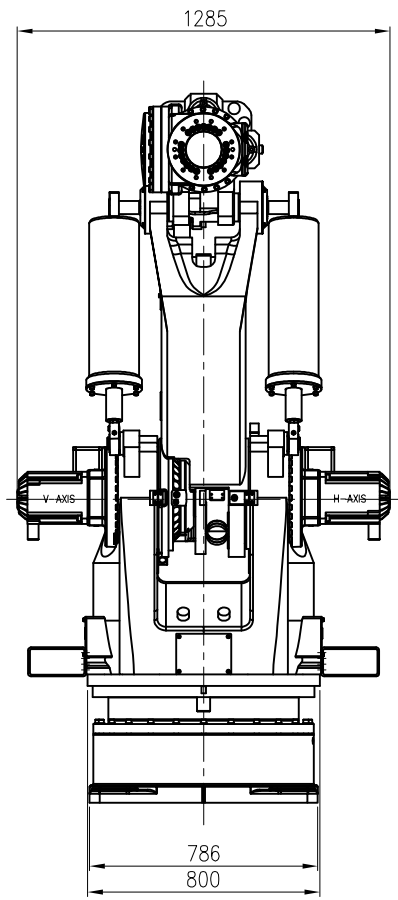
2-ø12 H7 REAMER DP11
(P.C.D200)



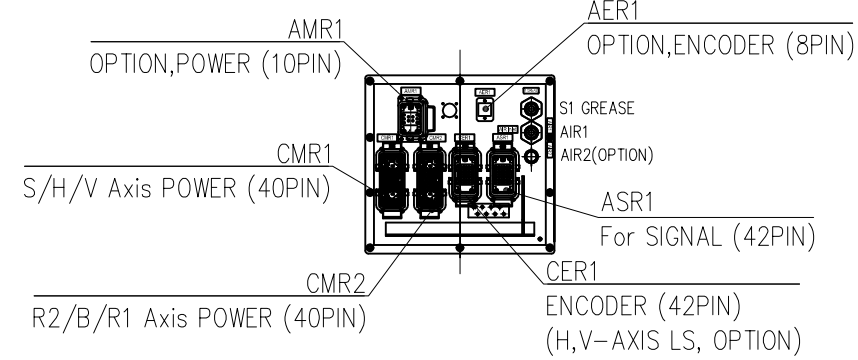
VIEW "E"
(SCALE : 1/1)



VIEW "D"
(SCALE : 2/1)



VIEW "B"
(SCALE : 1/1)



VIEW "C"
(SCALE : 2/1)
<For Hi5a Controller>

TECHNICAL SPECIFICATION SUBJECT TO
CHANGE WITHOUT NOTICE

| | | |
|-------|------------|---------|
| MODEL | HX500S | issue.0 |
| DATE | 2018.01.15 | |

