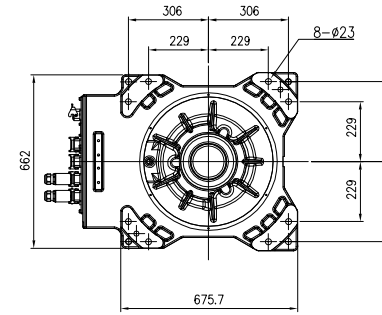
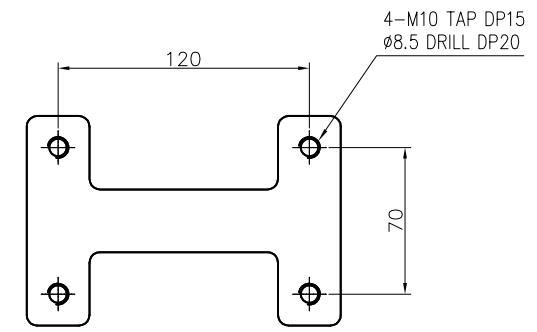


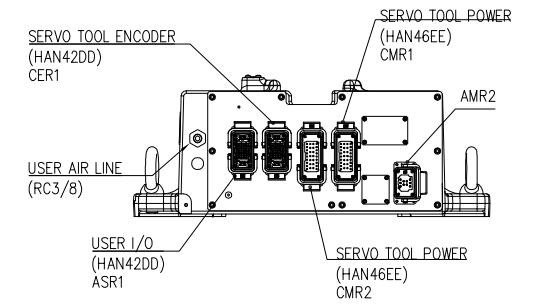
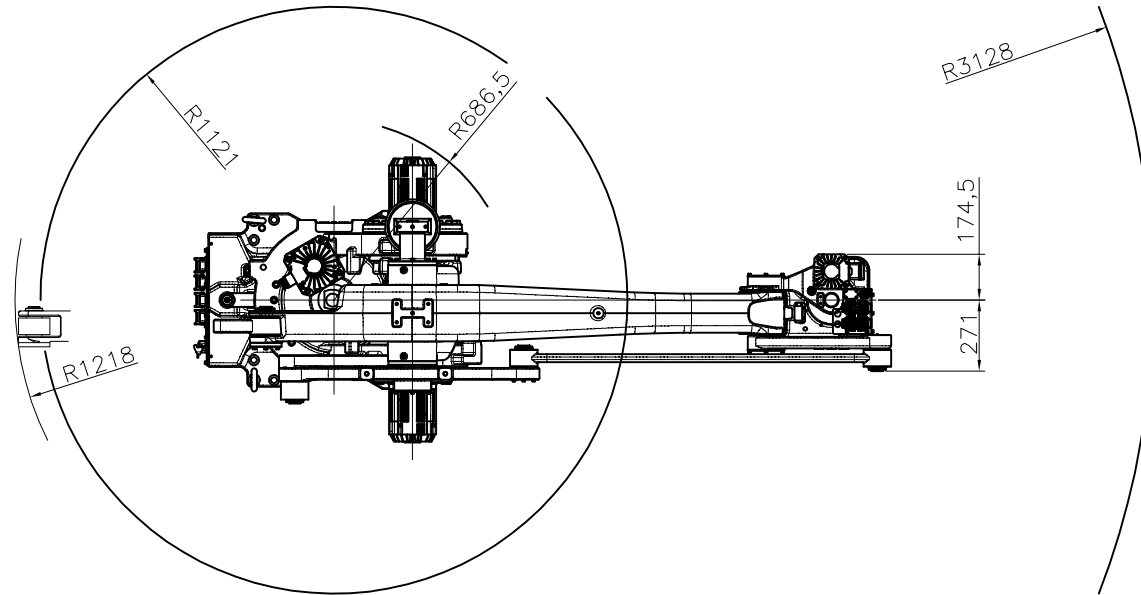
VIEW "A"
(SCALE : 4/1)



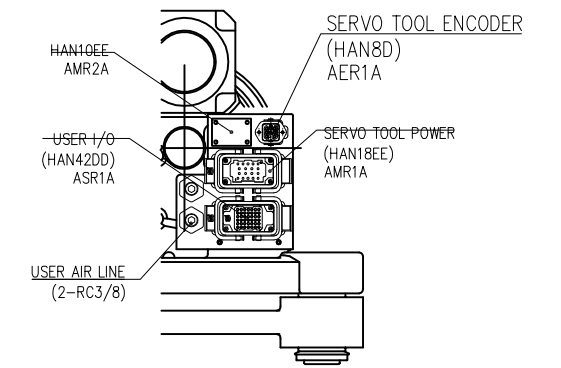
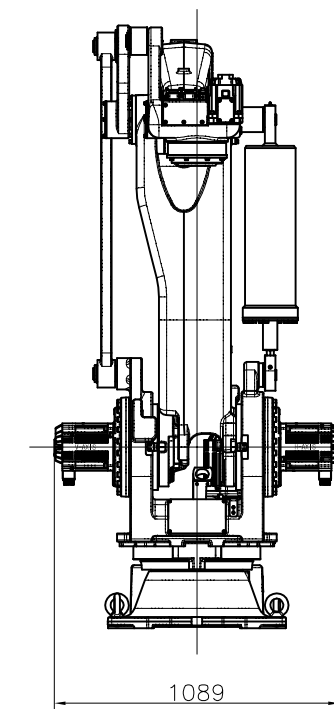
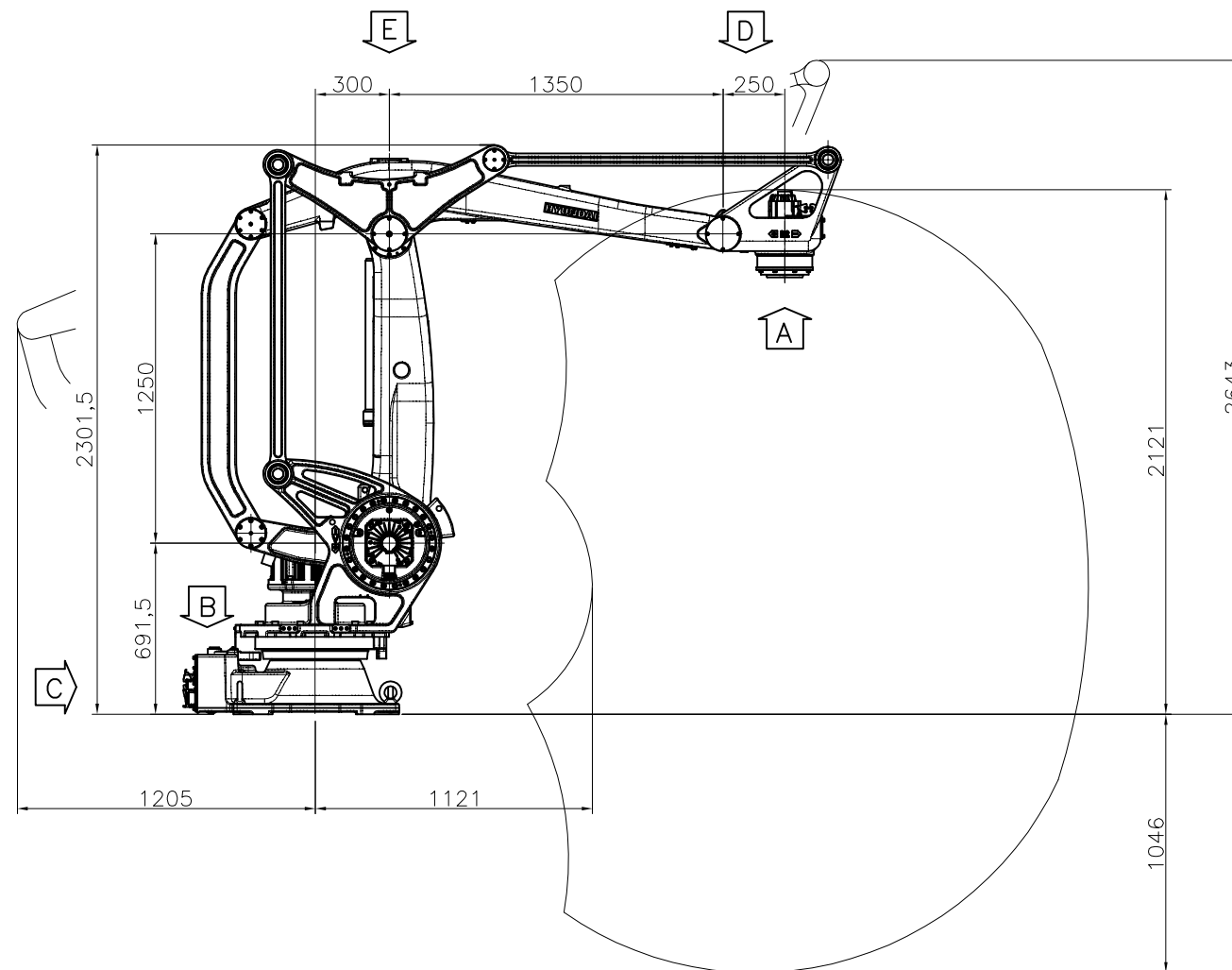
VIEW "B"
(SCALE : 1/1)



VIEW "E"
(SCALE : 8/1)



VIEW "C"
(SCALE : 1/1)



VIEW "D"
(SCALE : 1/1)

MODEL	HP160-13	issue.0
DATE	2020.11.04	

TECHNICAL SPECIFICATION SUBJECT TO CHANGE WITHOUT NOTICE

